

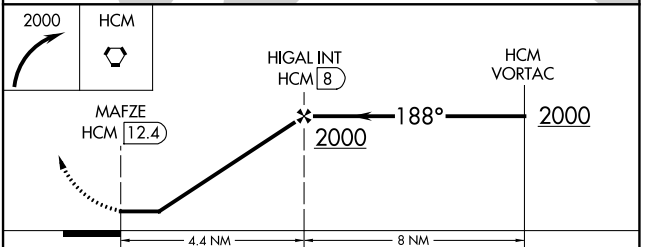
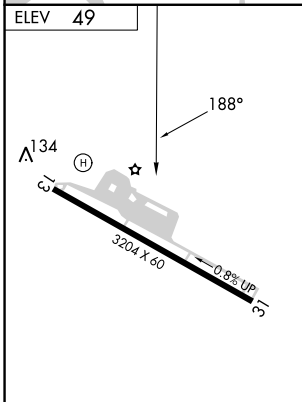
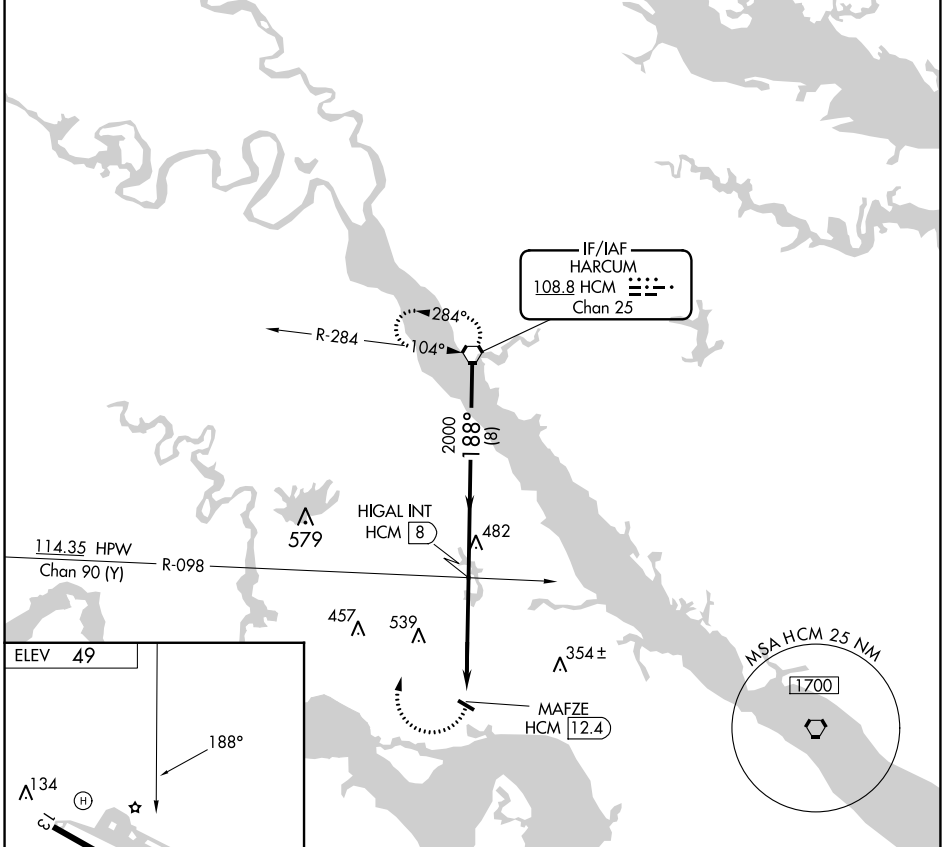
VORTAC HCM <b>108.8</b> Chan 25	APP CRS <b>188°</b>	Rwy Idg TDZE Apt Elev	<b>N/A</b> <b>N/A</b> <b>49</b>
---------------------------------------	------------------------	-----------------------------	---------------------------------------

**VOR-B**

WILLIAMSBURG-JAMESTOWN (JGG)

<b>▽</b> <b>▲</b>	Procedure NA at night. Rwy 13, 31 helicopter visibility reduction below 1 SM NA.	MISSED APPROACH: Climbing right turn to 2000 direct HCM VORTAC and hold.
----------------------	---	--

AWOS-3 <b>120.625</b>	NORFOLK APP CON <b>119.45 360.6</b>	GCO <b>135.075</b>	UNICOM <b>122.8 (CTAF) 0</b>
--------------------------	--	-----------------------	---------------------------------



REIL Rwy 13 and 31	MIRL Rwy 13-31				
FAF to MAP 4.4 NM					
Knots	60	90	120	150	180
Min:Sec	4:24	2:56	2:12	1:46	1:28

CATEGORY	A	B	C	D
<b>☑</b> CIRCLING	1060-3 1011 (1100-3)			NA

NE-3, 22 FEB 2024 to 21 MAR 2024

NE-3, 22 FEB 2024 to 21 MAR 2024