

WAAS CH 90239 W18A	APP CRS 181°	Rwy Idg 4894 TDZE 738 Apt Elev 738
--	------------------------	---

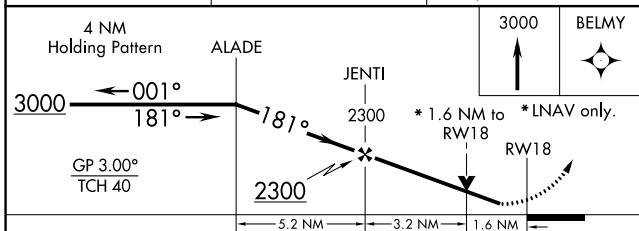
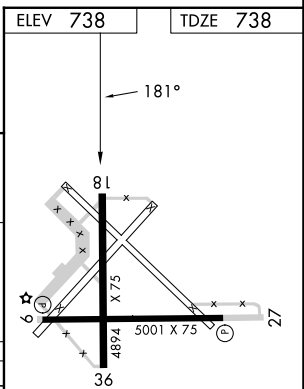
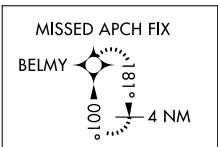
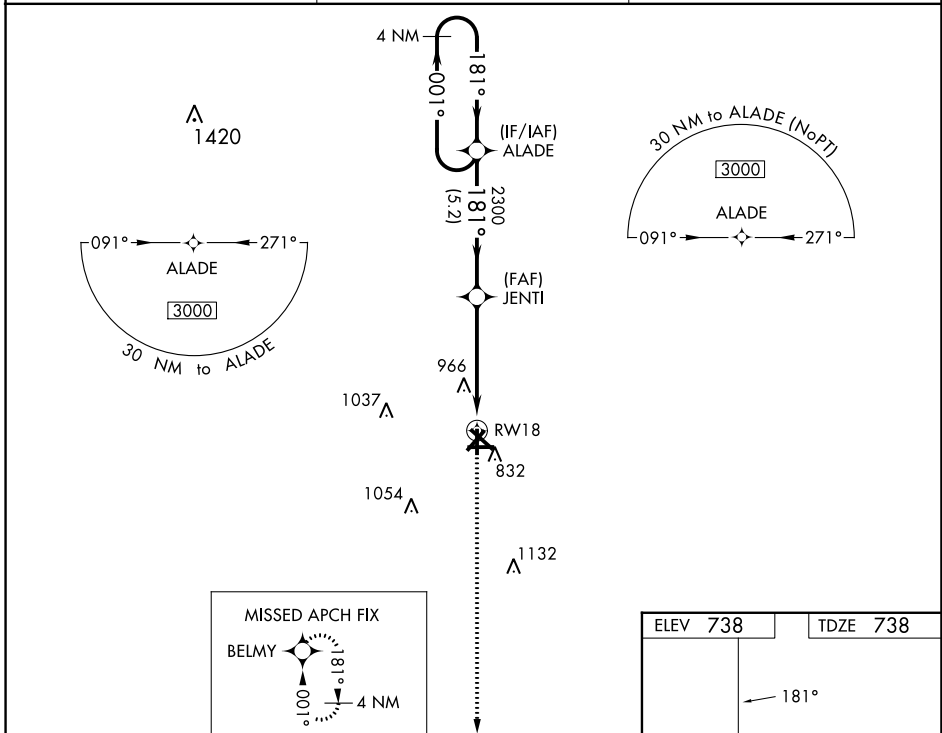
RNAV (GPS) RWY 18

RANTOUL NTL AVN CNTR-FRANK ELLIOTT FLD (TIP)

For uncompensated Baro-VNAV systems, LNAV/VNAV NA below -16°C (4°F) or above 54°C (130°F). Baro-VNAV and VDP NA when using Champaign Urbana altimeter setting. DME/DME RNP-0.3 NA. Helicopter visibility reduction below ¼ SM NA. When local altimeter setting not received, use Champaign Urbana altimeter setting and increase LPV DA to 1056 and all visibilities to 1½ mile, increase LNAV/VNAV DA to 1312 and all visibilities to 2 mile; increase all MDA 60 feet; increase LNAV and Circling Cats C/D visibility ¼ mile.

MISSED APPROACH: Climb to 3000 direct BELMY and hold.

AWOS-3 119.025	CHAMPAIGN APP CON ★ 121.35 285.65	UNICOM 123.0 (CTAF) 1
--------------------------	---	---------------------------------



CATEGORY	A	B	C	D
LPV DA	1015-1		277 (300-1)	
LNAV/VNAV DA	1271-17/8		533 (600-17/8)	
LNAV MDA	1280-1	542 (600-1)	1280-17/8	542 (600-17/8)
CIRCLING	1280-1	542 (600-1)	1380-13/4	1420-21/4
			642 (700-13/4)	682 (700-21/4)

REIL Rwy 9 and 27 1
MIRL Rwy 9-27 and 18-36 1

EC-3, 22 FEB 2024 to 21 MAR 2024

EC-3, 22 FEB 2024 to 21 MAR 2024

WAAS CH 42737 W27A	APP CRS 271°	Rwy Idg TDZE 733 Apt Elev 738	5001
--	------------------------	---	-------------

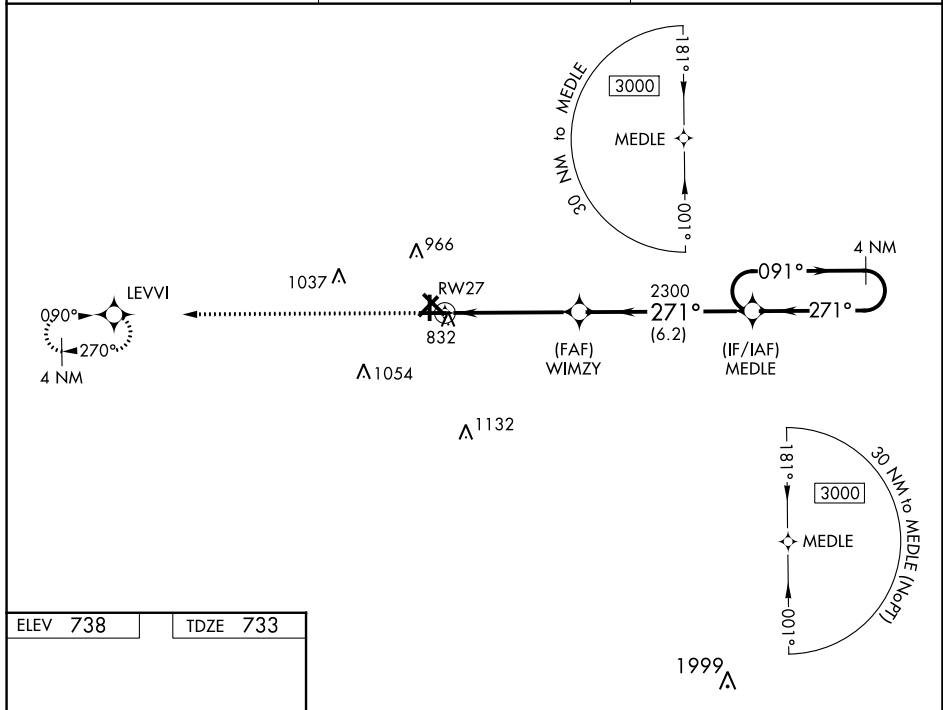
RNAV (GPS) RWY 27

RANTOUL NTL AVN CNTR-FRANK ELLIOTT FLD (TIP)

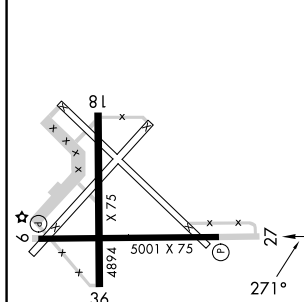
⚠ For uncompensated Baro-VNAV systems, LNAV/VNAV NA below -16°C (4°F) or above 54°C (130°F). DME/DME RNP-0.3 NA. When local altimeter setting not received, use Champaign Urbana altimeter setting and increase all DA 41 feet and all MDA 60 feet; increase LNAV/VNAV all Cats visibility 1/8 mile and LNAV and Circling Cats C/D visibility 1/4 mile. Baro-VNAV and VDP NA when using Champaign Urbana altimeter setting. Helicopter visibility reduction below 1/4 SM NA.

MISSED APPROACH:
Climb to 3000 direct LEVVI and hold.

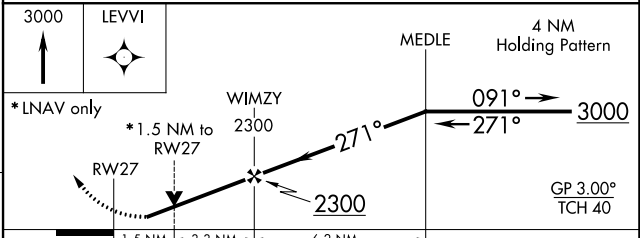
AWOS-3 119.025	CHAMPAIGN APP CON ★ 121.35 285.65	UNICOM 123.0 (CTAF) 📻
--------------------------	---	--



ELEV 738	TDZE 733
-----------------	-----------------



REIL Rwy 9 and 27 **📻**
MIRL Rwy 9-27 and 18-36 **📻**



CATEGORY	A	B	C	D
LPV DA	983-1		250 (300-1)	
LNAV/VNAV DA	1029-1		296 (300-1)	
LNAV MDA	1240-1 507 (600-1)		1240-1 3/8 507 (600-1 3/8)	
📻 CIRCLING	1240-1 502 (600-1)	1280-1 542 (600-1)	1380-1 3/4 642 (700-1 3/4)	1420-2 1/4 682 (700-2 1/4)

EC-3, 22 FEB 2024 to 21 MAR 2024

EC-3, 22 FEB 2024 to 21 MAR 2024

WAAS CH 61137 W36A	APP CRS 001°	Rwy ldg TDZE 736 Apt Elev 738	4894
--	------------------------	---	-------------

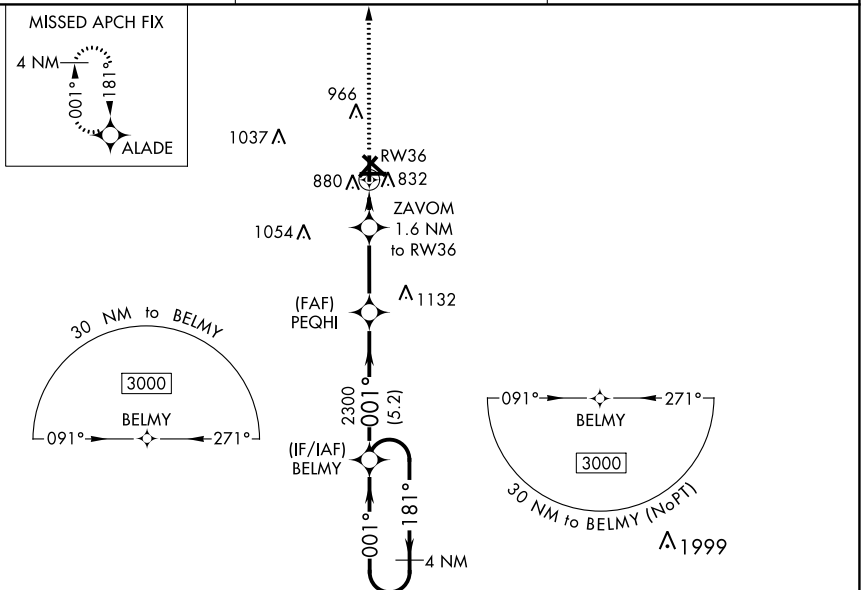
RNAV (GPS) RWY 36

RANTOUL NTL AVN CNTR-FRANK ELLIOTT FLD (TIP)

⚠ Baro-VNAV NA when using Champaign Urbana altimeter setting. For uncompensated Baro-VNAV systems, LNAV/VNAV NA below -1.6°C (4°F) or above 54°C (130°F). DME/DME RNP-0.3 NA. When local altimeter setting not received, use Champaign Urbana altimeter setting and increase all DA 41 feet and all MDA 60 feet; increase LNAV/VNAV all Cats visibility 1/8 mile and Circling Cats C/D visibility 1/4 mile. Helicopter visibility reduction below 3/4 SM NA.

MISSED APPROACH:
Climb to 3000 direct ALADE and hold.

AWOS-3 119.025	CHAMPAIGN APP CON ★ 121.35 285.65	UNICOM 123.0 (CTAF) 0
--------------------------	---	---------------------------------

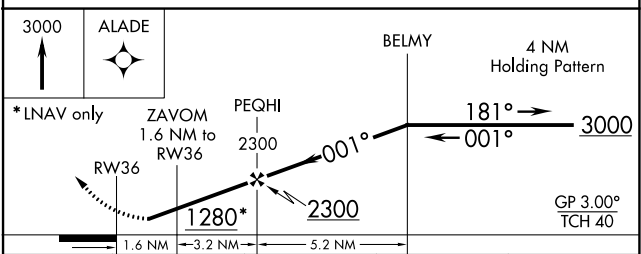
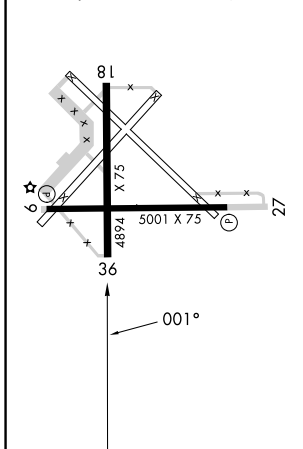


EC-3, 22 FEB 2024 to 21 MAR 2024

EC-3, 22 FEB 2024 to 21 MAR 2024

ELEV 738	TDZE 736
-----------------	-----------------

REIL Rwy 9 and 27 **0**
MIRL Rwy 9-27 and 18-36 **0**



CATEGORY	A	B	C	D
LPV DA	986-1 250 (300-1)			
LNAV/VNAV DA	1147-1 3/8 411 (500-1 3/8)			
LNAV MDA	1140-1 404 (500-1)	1140-1 1/8 404 (500-1 1/8)		
C CIRCLING	1220-1 482 (500-1)	1280-1 542 (600-1)	1380-1 3/4 642 (700-1 3/4)	1420-2 1/4 682 (700-2 1/4)

WAAS CH 62937 W09A	APP CRS 091°	Rwy Idg TDZE 735 Apt Elev 738	5001
--	------------------------	---	-------------

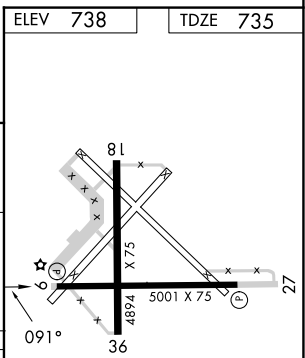
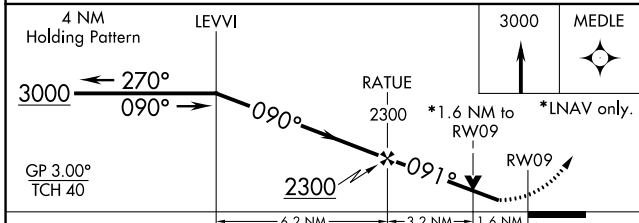
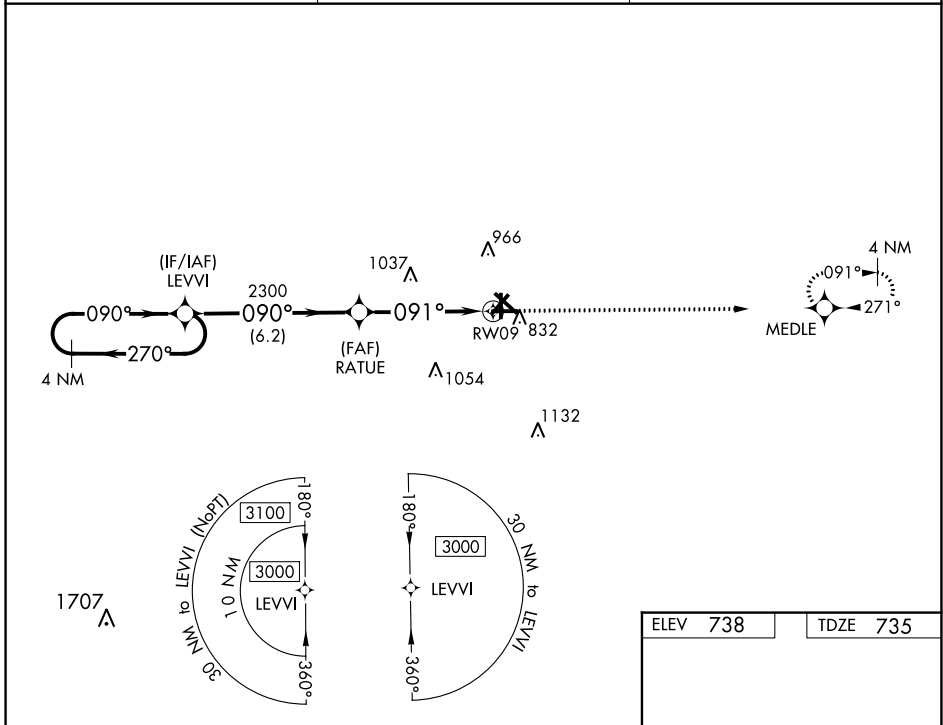
RNAV (GPS) RWY 9

RANTOUL NTL AVN CNTR-FRANK ELLIOTT FLD (TIP)

⚠ For uncompensated Baro-VNAV systems, LNAV/VNAV NA below -16°C (4°F) or above 54°C (130°F). DME/DME RNP-0.3 NA. When local altimeter setting not received, use Champaign Urbana altimeter setting and increase DA 41 feet and all MDA 60 feet; increase LNAV/VNAV all Cats and LNAV Cats C/D visibility 1/8 mile and Circling Cats C/D visibility 1/4 mile. Baro-VNAV and VDP NA when using Champaign Urbana altimeter setting. Helicopter visibility reduction below 3/4 SM NA.

MISSED APPROACH:
Climb to 3000 direct MEDLE and hold.

AWOS-3 119.025	CHAMPAIGN APP CON ★ 121.35 285.65	UNICOM 123.0 (CTAF) 0
--------------------------	---	---------------------------------



CATEGORY	A	B	C	D
LPV DA	985-1		250 (300-1)	
LNAV/VNAV DA	1167-1½		432 (500-1½)	
LNAV MDA	1280-1 545 (600-1)		1280-1½ 545 (600-1½)	
C CIRCLING	1280-1 542 (600-1)		1380-1¾ 642 (700-1¾) 1420-2¼ 682 (700-2¼)	

REIL Rwy 9 and 27 **0**
MIRL Rwy 9-27 and 18-36 **0**

RNAV (GPS) RWY 9

EC-3, 22 FEB 2024 to 21 MAR 2024

EC-3, 22 FEB 2024 to 21 MAR 2024